



# ONYX VALVE

835 Industrial Hwy, Cinnaminson, NJ 08077

phone: 856-829-2888 | Fax: 856-829-3080 | onyxvalve.com

## PSQ

The Onyx Isolator Ring provides a simple, method to measure pressure of slurries and corrosive fluids. The PSQ series is compatible with Tri-Clover pipe connections. Quick connection to Tri-Clover pipe provides accurate alignment and fast installation.

The inside diameter of the PSQ precisely matches sanitary pipe for smooth, unobstructed flow, self-cleaning operation, and minimum turbulence and friction. Onyx ultra-deep vacuum filling insures the highest accuracy in the industry. The patented "Module Seal" - standard on all Onyx Isolator Rings - allows instruments to be or replaced or calibrated with minimum down time.

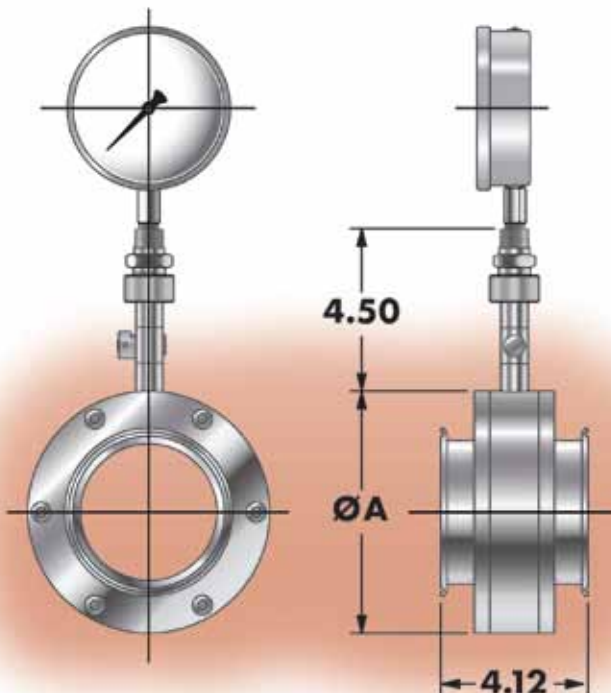
### Materials of Construction

Center Section:	316 Stainless Steel	
End Plates:	316 Stainless Steel	
Elastomer:	Nitrile (Buna-N)	-30°F → 220°F
(Available with optional Teflon coatings)	EPDM (Nordel)	-40°F → 300°F
	Viton	-15°F → 375°F
	White Neo	-20°F → 220°F
Fill Fluid:	Silicone Fluid	-40°F → 400°F
	Vegetable Oil	0°F → 250°F
	Food Grade Silicone	-20°F → 400°F
Module Seal Stinger Fitting:	316 Stainless Steel	
Pipe Fittings:	316 Stainless Steel	
Pressure Range:	Vacuum to 150 psi	



### Benefits:

- Absolute immunity to clogging
- Tri-Clover fittings allows for quick disconnect from piping system
- FDA Silicone oil fill fluid is safe, non-toxic, non-corrosive, and stable from -40°F to +400°F
- High displacement design can operate multiple instruments on one ring
- Ideal for brine, pickling solutions, tomato paste, chilies, mustard, pet food, and chocolate
- No tools required to change pressure instrument



Size	ØA
1	3.25
1 ½	3.25
2	4.00
2 ½	4.75
3	5.25
4	6.75
6	8.62



## PSR

The Onyx Isolator Ring provides a simple, method to measure pressure of slurries and corrosive fluids. The PSR series is compatible with flanged pipe connections. The full face thru bolt holes match the bolt circle of mating flanges for accurate alignment making it the ideal choice for use with non-metallic flanges.

The inside diameter of the PSR precisely matches standard pipe for smooth, unobstructed flow self-cleaning operation, and minimum turbulence and friction. Onyx ultra-deep vacuum filling insures the highest accuracy in the industry. The patented "Module Seal" - standard on all Onyx Isolator Rings - allows instruments to be removed or replaced or calibrated with minimum down time.

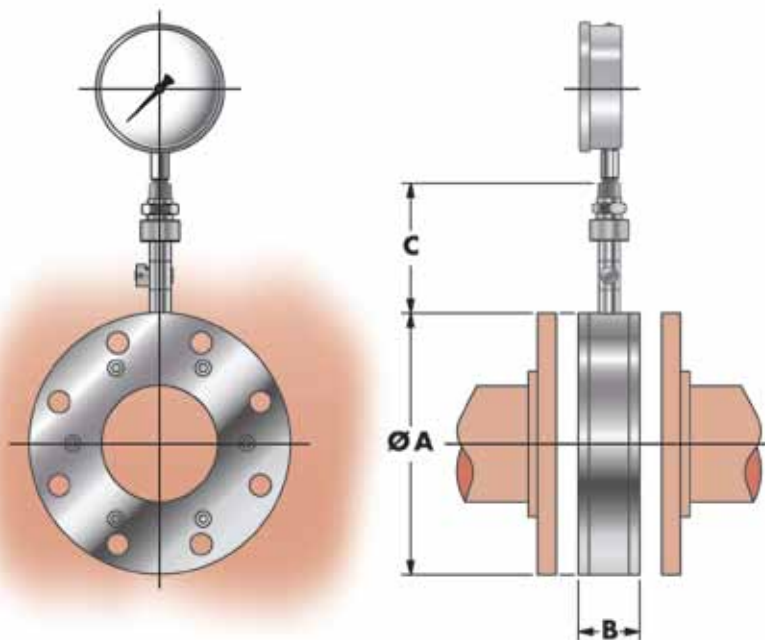
### Materials of Construction

Body	PVC-C	Instrument	316L SS
Seal	Teflon	Seal	PVC
Temperature Range	-40°F to 220°F	Temperature Range	-20°F to 300°F
Optional Teflon Seal	-20°F to 220°F	Optional Teflon Seal	-15°F to 375°F
Temperature Range	-10°F to 250°F	Temperature Range	-40°F to 400°F
Temperature Range	-20°F to 400°F	Temperature Range	-20°F to 400°F
Material	316L SS	Material	316L SS
Material	316L SS	Material	316L SS
Material	316L SS	Material	316L SS



### Benefits:

- Integral snubber eliminates gauge fluctuations at no cost
- Instruments can be replaced without vacuum filling



Size	ØA	B	C
1 1/2	4.25	1.87	4.50
2	5.00	1.87	4.50
2 1/2	6.00	1.87	4.50
3	7.50	1.87	4.50
4	9.00	2.12	4.50
5	10.00	2.25	4.50
6	11.00	2.25	4.50
8	13.50	2.25	4.50
10	16.00	2.81	4.50
12	19.00	3.12	4.50
14	21.00	3.12	4.50
16	23.50	3.12	4.50
18	25.00	3.12	5.37
20	27.50	3.12	5.37
24	32.00	3.12	5.37
30	38.75	3.12	5.37
36	41.12	4.00	5.37
42	53.00	4.00	5.37



## PSS

The Onyx Isolator Ring provides a simple, method to measure pressure of slurries and corrosive fluids. The PSS series is compatible with threaded pipe connections.

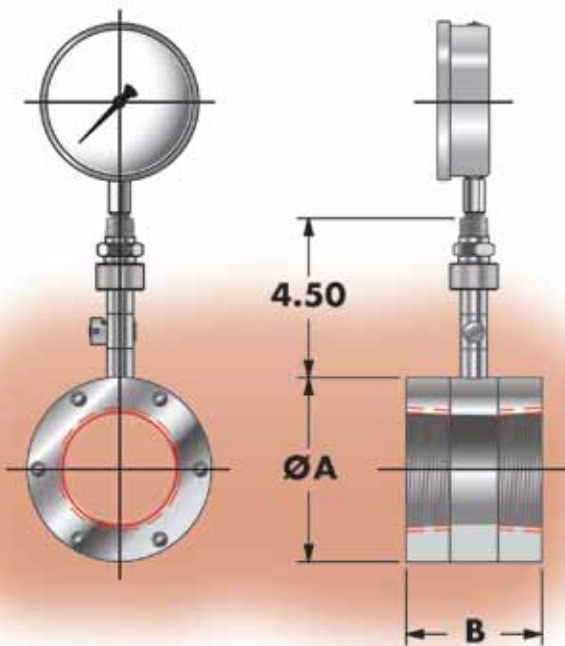
Onyx ultra-deep vacuum filling insures the highest accuracy in the industry. The patented "Module Seal" - standard on all Onyx Isolator Rings - allows instruments to be or replaced or calibrated with minimum down time.

### Materials of Construction

<p>Body: UHMWPE          Gaskets: Viton</p>	<p>Optional Teflon          Viton</p>
<p>Stem: 316L SS          Nut: 316L SS</p>	<p>Optional: 304 SS</p>
<p>Flange: 316L SS          Bolts: 316L SS</p>	<p>Optional: 304 SS</p>
<p>Pressure Gauge: 316L SS          Seal: Viton</p>	<p>Optional: 304 SS</p>



- Benefits:**
- Immune to errors caused by ambient temperature fluctuations
  - Integral snubber eliminates gauge fluctuations at no cost
  - Silicone oil fill fluid is safe, non-toxic, non-corrosive, and non-flammable



Size	ØA	B
1/2	2.50	2.87
3/4	2.50	2.87
1	2.50	3.37
1 1/2	3.25	3.37
2	4.00	3.37
3	5.25	3.87
4	6.75	4.12

