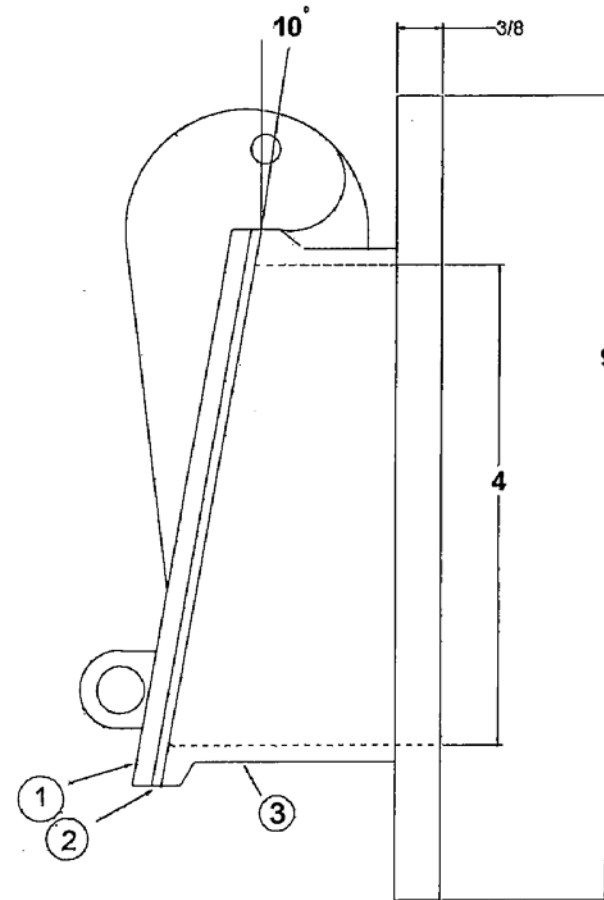
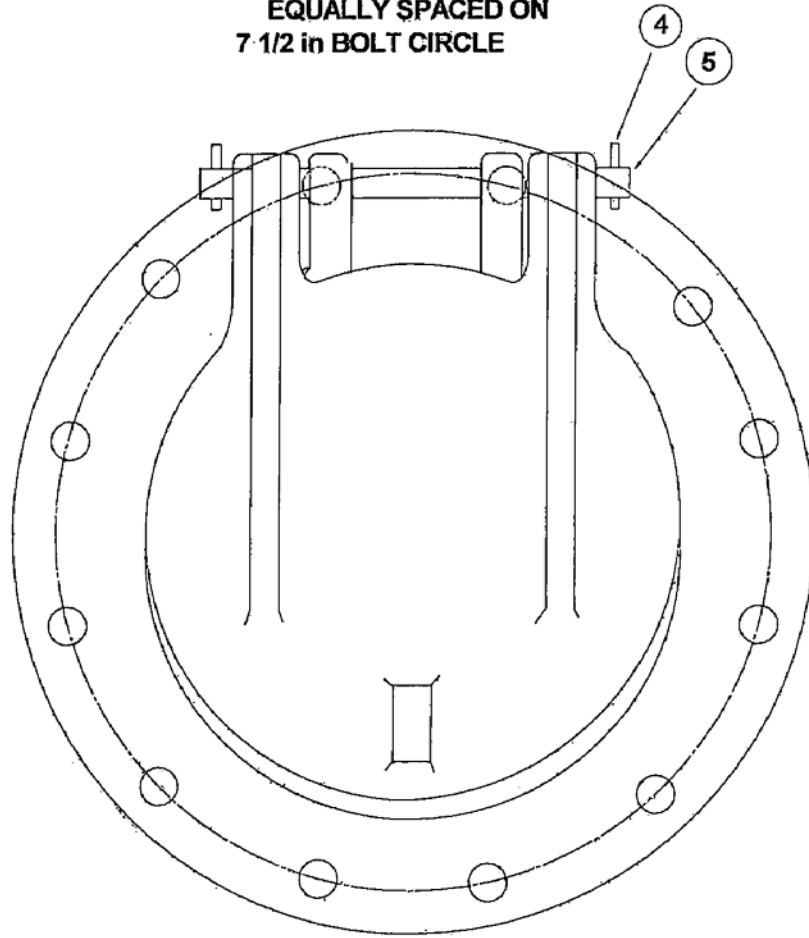


AVAILABLE IN 304 OR 316 STAINLESS STEEL

Parts List

Item	Description	Required	Material
1	Flap Valve Disc	1	Cast 304SS
2	Disc Ring-Resilient	1	BUNA-N
3	Body-Flap Valve	1	Cast 304SS
4	Cotter Pin	2	18-8 SS
5	Hinge Pin	1	304SS

(8) 3/4 DIA HOLES  
EQUALLY SPACED ON  
7 1/2 in BOLT CIRCLE



MATERIAL:  
DATE:

STAINLESS STEEL FLAP VALVE, RESILIENT SEAT

**TROY VALVE**  
Troy, PA

NO. A25406/04SS