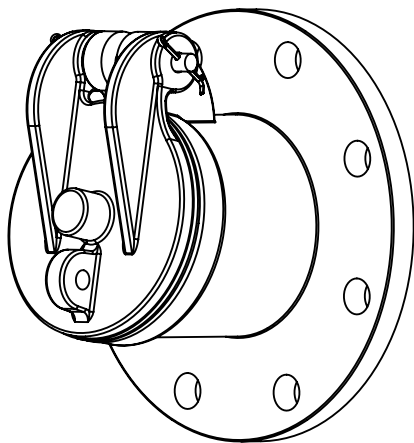
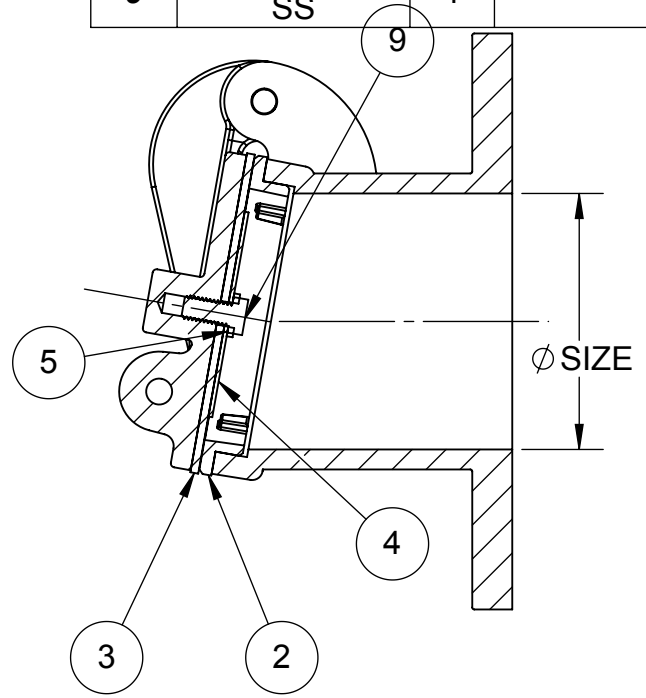
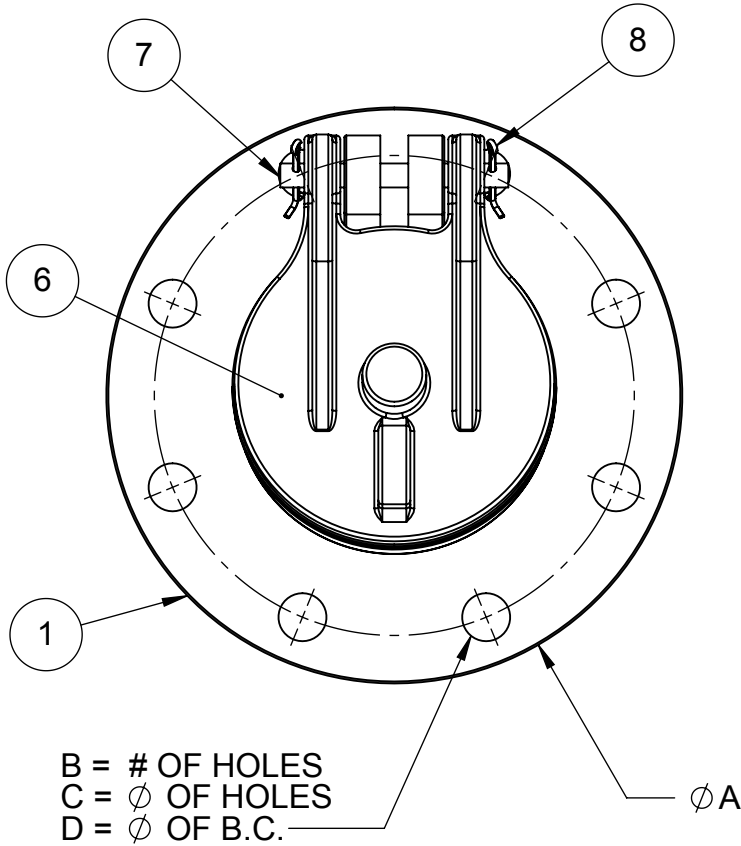


DIMENSIONS ARE IN INCHES

SIZE	4	6	8
A	9	11	13 1/2
B	8	8	8
C	3/4	7/8	7/8
D	7 1/2	9 1/2	11 3/4

ITEM	DESCRIPTION	QTY.	MAT'L
1	Body	1	CI-A126
2	Seat Ring	1	BRZ-B62
3	Resilient Seat	1	BUNA-N
4	Disc Washer	1	304SS
5	Lock Washer	1	304SS
6	3/8-16 Bolt	1	18-8SS
7	Hinge pin	1	304SS
8	Cotter Pin	2	304SS
9	3/8-16x.750 SS	1	



Notes:

- 125# ANSI flange
- Two Part Epoxy Coating



www.TroyValve.com

PHONE: 1-570-297-2125

03E-02 DO NOT SCALE DRAWING 2016

TITLE:

Brz to Res Seat Wall Relief Valve

MAT'L: Cast Iron

DATE: Sep 22, 2016

PART NO:

A2580

DWN.

CAC

PAGE: